

PURPOSE

★ This Plastic Sealer FRN is the perfect sealer for PE and PP bags. To package various kinds of candy foodstuff, general, merchandery, durgs, etc.

OPERATION

★ This machine don't use the power switch, plug the accord into socket, according to the thickness of the materials to be sealed. Regulating the heat time duration putting one plastic bag on the sealing platform, and then push down the handle, the electronic circuit controls the heat time automatically , the light turns off (to cut off the power automatically) , After 1-2 seconds, release the handle. The perfect seal is complete.

★ In case of the bread of damage appear on the seal, it because of the over long heat time. Please regulate the heat time toward the directions for shorting it.

★ Non-tighten seal is because of the too short heat time. Please regulate it toward to direction (2) for longer.

★ Shoura the plastic bag sticks to the handle rubber or to pulled. It is because of the cooling time is not enough. The cooling time have to get longer after the light turns off (please keep the handle down for a short time).

★ After regulating the heat time duration, it will keep unchanged for every usage. It is unnecessary to make any regulating for the continus sealing. But the second action of sealing have to be continued after the off of pilot lamp, and the return of platen arm. (Around 3 sec)

★ When sealing, it increases the s of pressure in the middle of pressing handle it makes to be good to seal quality.

★ Please plugs the AC cord into the socket always, it will not consume the power at all during not in use condition.

NOTES

★ Always keep the sealing platform clean, avoiding the oxidation of the residual on that platform which will reduce the life of the heating element and of the heat-resistant cloth.

★ Don't use the wet article to clean the sealing platform.

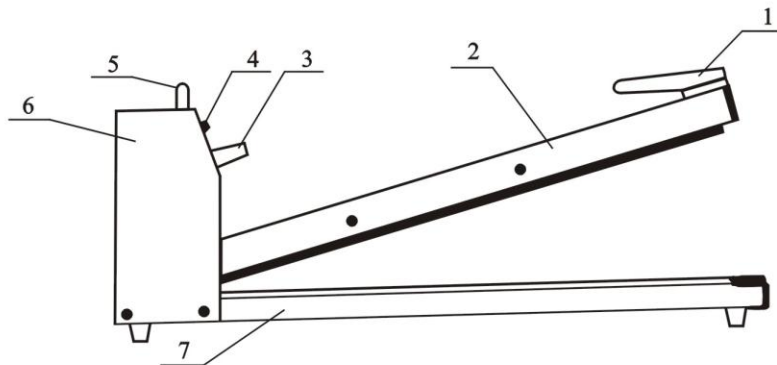
★ Should the bottom cloth be worn, it will make this machine into short-way and to damage the heating element.

★ So every time in replacing the heating element, check the bottom cloth. Replace it by a new bottom cloth if the old one is down.

★ If it is necessary to replace a new heat element. Don't use any other heat element which is not same specification with the original.

★ After a very long time usage. Please check the handle rubber. The wear of hand rubber will influence the sealing effect, please.

DESCRIPTION OF MAIN PARTS



1. handle knob 2. piaten arm 3. timer knob 4. pilot lamp
5. Handle 6. enclosure 7. bottom seat

Technical parameter of SH capper

Type	FS-500H	FS-600H	FS-700H	FS-800H	FS-900H	FS-1000H
Power of pulse	650W	780W	910W	1050W	1200W	1350W
Sealing length	500	600	700	800	900	1000
Thickness	0.01-0.4mm					
Sealing width	2.8mm					
Heating time	0.2-3sec					